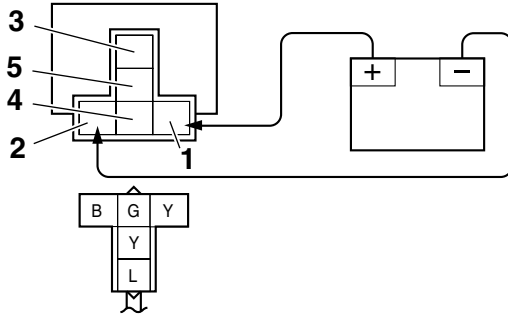


Second step:

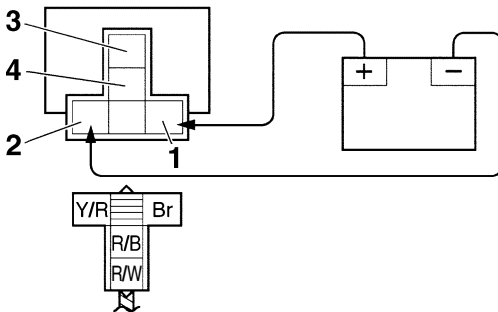


1. Positive battery terminal
2. Negative battery terminal
3. Positive tester probe
4. Negative tester probe
5. Negative tester probe



Result
No continuity
 (between "3" and "4")
Continuity
 (between "3" and "5")

Radiator fan motor relay

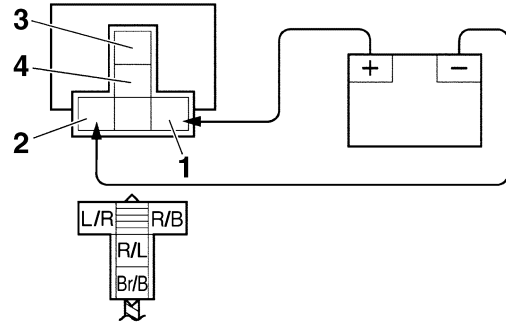


1. Positive battery terminal
2. Negative battery terminal
3. Positive tester probe
4. Negative tester probe

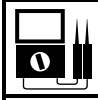


Result
Continuity
 (between "3" and "4")

Fuel injection system relay



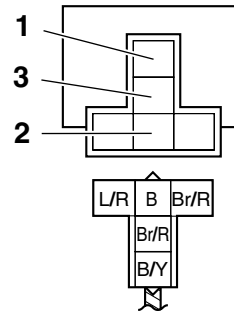
1. Positive battery terminal
2. Negative battery terminal
3. Positive tester probe
4. Negative tester probe



Result
Continuity
 (between "3" and "4")

Four-wheel-drive motor relay 1

First step:

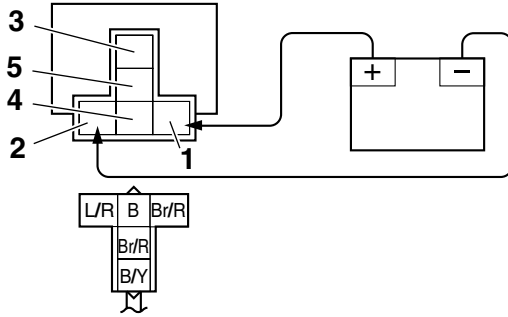


1. Positive tester probe
2. Negative tester probe
3. Negative tester probe

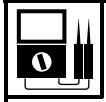


Result
Continuity
 (between "1" and "2")
No continuity
 (between "1" and "3")

Second step:



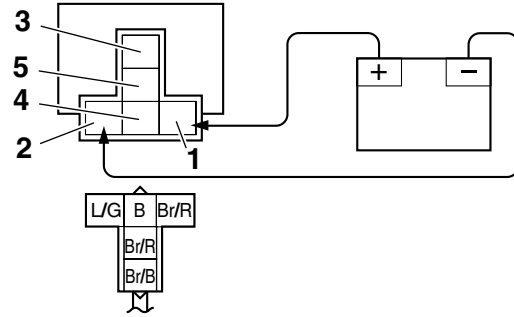
1. Positive battery terminal
2. Negative battery terminal
3. Positive tester probe
4. Negative tester probe
5. Negative tester probe



Result

No continuity
(between "3" and "4")
Continuity
(between "3" and "5")

Second step:



1. Positive battery terminal
2. Negative battery terminal
3. Positive tester probe
4. Negative tester probe
5. Negative tester probe

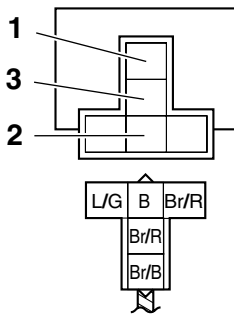


Result

No continuity
(between "3" and "4")
Continuity
(between "3" and "5")

Four-wheel-drive motor relay 2

First step:



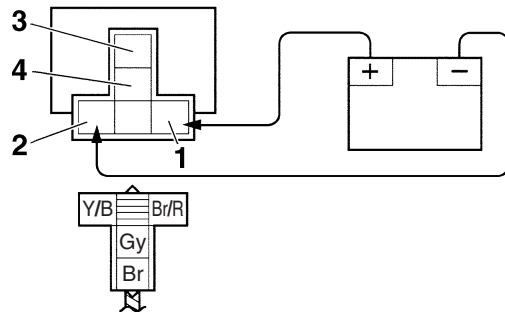
1. Positive tester probe
2. Negative tester probe
3. Negative tester probe



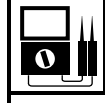
Result

Continuity
(between "1" and "2")
No continuity
(between "1" and "3")

Four-wheel-drive motor relay 3



1. Positive battery terminal
2. Negative battery terminal
3. Positive tester probe
4. Negative tester probe



Result

Continuity
(between "3" and "4")

EAS28050

CHECKING THE DIODE

1. Check:
 - Diode 3
 Out of specification → Replace.



Pocket tester
90890-03112
Analog pocket tester
YU-03112-C